

The MKII Sashless window system is designed for maximum visibility. With all framework contained to the outer edges the result is an unobtrusive view and maximum light.

It is best suited for use in partially covered or protected areas (eg. under awnings or eaves) such that protection is afforded against driving wind and rain. Also ideal for use on large cabinets, reception windows and display windows.

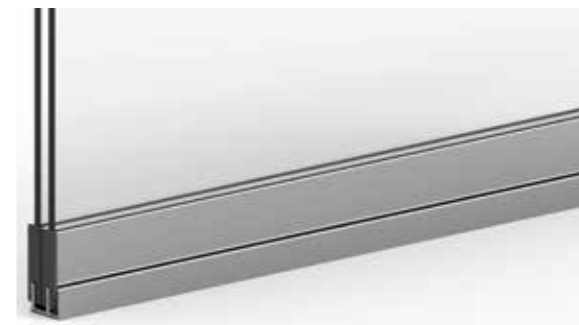
The MKII Sashless window system is best suited to 2 panel applications, alternatively used in 4 door applications by running multiple panels on each track or multiple tracks.



TRACK VIEW



GUIDE VIEW



TECH SPECS

- Included Feature
- Optional Extra

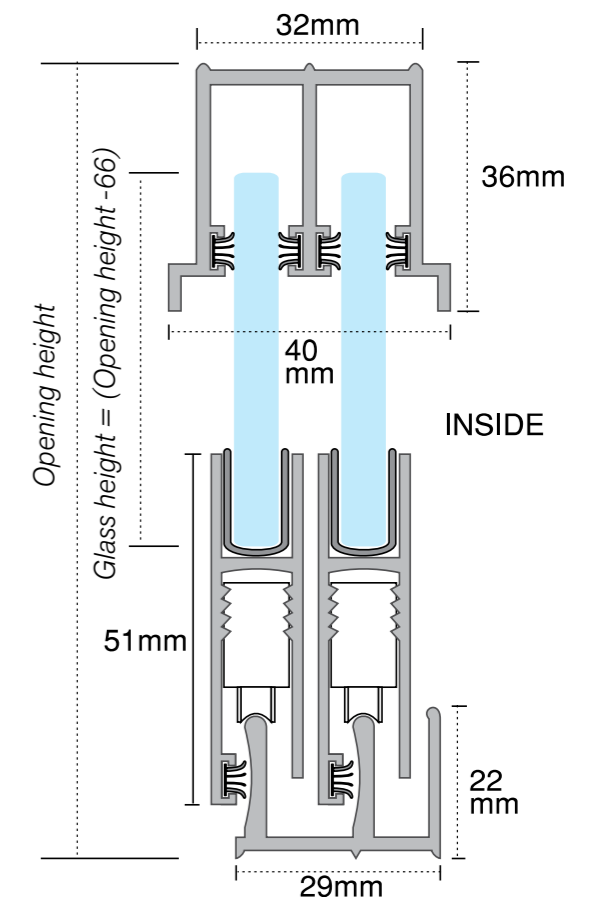
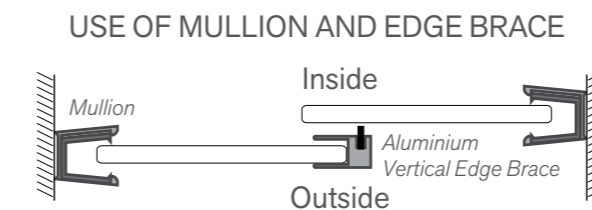
System Type	Multi-Sliding
Max. Weight Door/Panel	52kg
Door/Panel width (mm)	Up to 2000
Door Thickness (mm) min.	6-6.38
Track Length (mm)	4500mm
Suits No. of doors	2
Track Type	Aluminium - anodised/ mill finish

External door	
Internal door	
Wardrobe doors	
Cupboard doors	○
Glass Cabinet doors	○
Wall mounted track	
Top mounted track	
Floor fixed track	○
Top guide	○
End stop	
Soft-close	
Pelmet	
Max Door Size (m²)	3.25
Max Door Height (mm)	1525
Door Width (mm)	Half Opening Width + 50mm (Will give a 100mm overlap)

MKII SASHLESS
COMPONENTS & REPLACEMENT PARTS

	TT02212: Aluminium Double Headguide with Pile - 4500mm - Clear Anod.		TT05212: Aluminium Race Section with Pile - 4500mm - Clear Anod.		TT05311: Aluminium Double Track - 4500mm - Mill
	TT05312: Aluminium Double Track - 4500mm - Clear Anod.		TT05406: Nylon End Plate - White		TT05408: Nylon End Plate - Black
	TT08900: Glazing Wedge - 40m		TT08910: Glazing Wedge - per m		TT12910: Black P.V.C. Mullion Insert (TT129A) - 30m
	TT12912: Aluminium Mullion Channel - 4500mm - Clear Anod.		TT13012: Alum. Vertical Edge Brace with Pile - 4500mm - Clear Anod.		TT13511: Clear P.V.C. Vertical Edge Brace with Pile - 3000mm
	TT52000: Adjustable Sheave (SS Wheel)				

ARCHITECTURAL DRAWINGS



GLASS PREPARATION DETAILS:

Cowdroy recommends all glass have polished edges and rounded or tipped corners.

Double Track for 6mm & 6.38mm laminate glass panels

END VIEW