

BARN DOOR INSTALLATION INSTRUCTIONS

THANK YOU FOR YOUR SELECTION OF A COWDROY BARN DOOR TRACK SYSTEM

This installation guide is based on mounting a 1000mm wide door onto a typical 900mm square set opening. Some changes may be required depending on your situation – such as door width, opening size and roller type. Read instructions fully before starting the installation of your barn door. Failing to follow the installation instructions may cause your door to function in an unsafe manner and may risk injury.




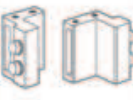



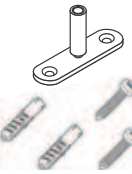


Any modification to the hardware will void the warranty and may cause the unit to function incorrectly.

When installing directly into a **non-concrete wall**, do not attempt to fix the track solely to the plasterboard or unsupported wall surface as this may not support the combined weight of the track and mounted door. The track must be installed onto a piece of solid wood backing (mounting board) using appropriate mounting screws.

Ensure the solid wood backing is secured into the structural supports of your wall. Use a stud finder where necessary to locate studs and secure safely. Typical solid wood backing (mounting board) should be a 92mm x 18mm solid timber board, ideally around 100mm longer than your track length.

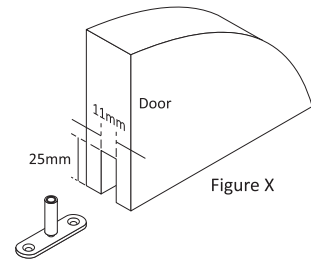
Mounting board and screws are not included.

Kit Type	Track Length	Face Fix Roller	Top Fix Roller	Door Stops	Anti-Jump Block	Wall Spacers	Wall Fixing Hardware	Floor Guide Set
Components Included								
BD25020	2000mm (x1)	x2		x2	x2	x5	x5	x1
BD25025	2500mm (x1)	x2		x2	x2	x6	x6	x1
BD25030	3000mm (x1)	x2		x2	x2	x7	x7	x1
BD25520	2000mm (x1)		x2	x2	x2	x5	x5	x1
BD25525	2500mm (x1)		x2	x2	x2	x6	x6	x1

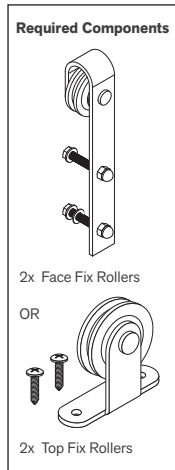
Step 1. DOOR PREPARATION – GROOVING THE DOOR FOR THE DOOR GUIDE

1.1. A door guide groove of 25mm H x 11mm wide is required in the bottom of the door (Figure X).

1.2. Go to STEP 2



Step 2. DOOR PREPARATION - ATTACH THE ROLLERS TO THE DOOR



Due to modern door construction, it is important to note:
Top-fix system – recommended for light, hollow-core doors.
Face-fix system – recommended for heavy, solid-core doors and not recommended for hollow-core doors.

2A. For "Face-fixed" Rollers:

Figure A:1

2A.1. At a distance of 90mm in from the edge of your door, mark the first hole 40mm down from the top with a pencil.

2A.2. Mark the second hole 90mm further down from the first hole.

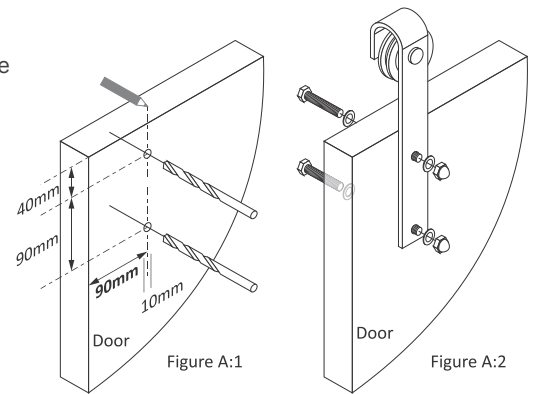
2A.3. Drill both holes using a 10mm drill bit.

Figure A:2

2A.4. Using a spanner, fix the roller in place. Ensure the roller is secure and straight on the door.

2A.5. Repeat this process for the other roller.

2A.6. Go to STEP 3



2B. For "Top-fixed" Rollers:

Figure B:1

2B.1. At a distance of 15mm in from the edge of your door mark a pencil line on the top of your door.

2B.2. Position the end of your Top Fix roller on the pencil line, centred to the door width, and mark the position of your fixing holes.

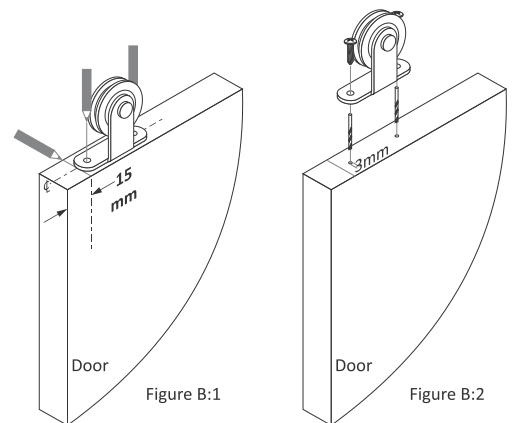
Figure B:2

2B.3. Pre-drill both holes using a 3mm drill bit.

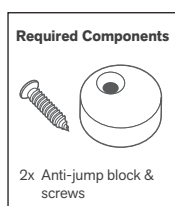
2B.4. Using a screw driver, fix the roller in place. Ensure the roller is secure and straight on the door.

2B.5. Repeat this process for the other roller.

2B.6. Go to STEP 3



Step 3. ATTACH ANTI-JUMP BLOCKS

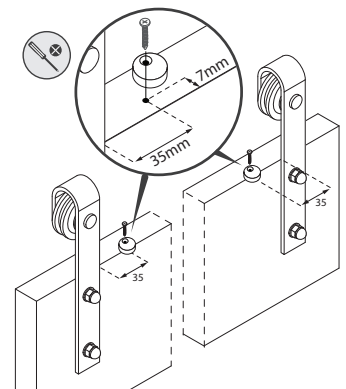


3.1. Measure and mark 35mm from the inside edge of rollers and 7mm from the face of the door.

3.2. Pre drill using a 3mm drill bit and fix anti-jump blocks using screws provided.

NOTE: The hole for the anti-jump blocks should be offset from the centre of the door so the block can be rotated out of the way when hanging the door on the track.

3.3. Go to STEP 4



Step 4. MEASURE AND PREPARE FOR TRACK LOCATION

4.1. Using a ladder, tape measure and level, find the centre height line position for the track at a height of your door plus 43mm. Measure from the floor up and, using a level, mark the centre height line with a pencil.

4.2. Measure 25mm from the inside edge of your opening and mark "Track centre" on the centre line. Holding your track up to the centre height line you can now mark the "Start point" at the opening end.

Alternatively, follow the below formula to find the "Start point" dimension "X".

opening and mark "Start Location" of track on the centre line.

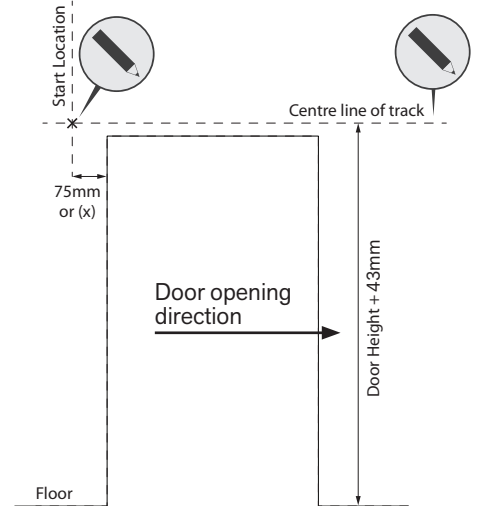
NOTE: To find the "Start Location" for your particular opening, use the following formula:

$$(\text{Half of Track length}) - (\text{opening width}) - 25\text{mm} = X$$

Example for a 900mm opening:

$$(\text{Half of } 2000 = 1000) - 900 - 25 = X = 75\text{mm}$$

Measure (X) from the opening and mark the "Start location" of the track on the centre line

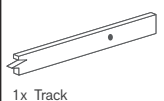


4.3. For fixing the track to a CONCRETE WALL go to STEP 5

4.4. For fixing the track to a NON-CONCRETE WALL go to STEP 7

Step 5. CONCRETE WALL - PREPARATION

Required Components

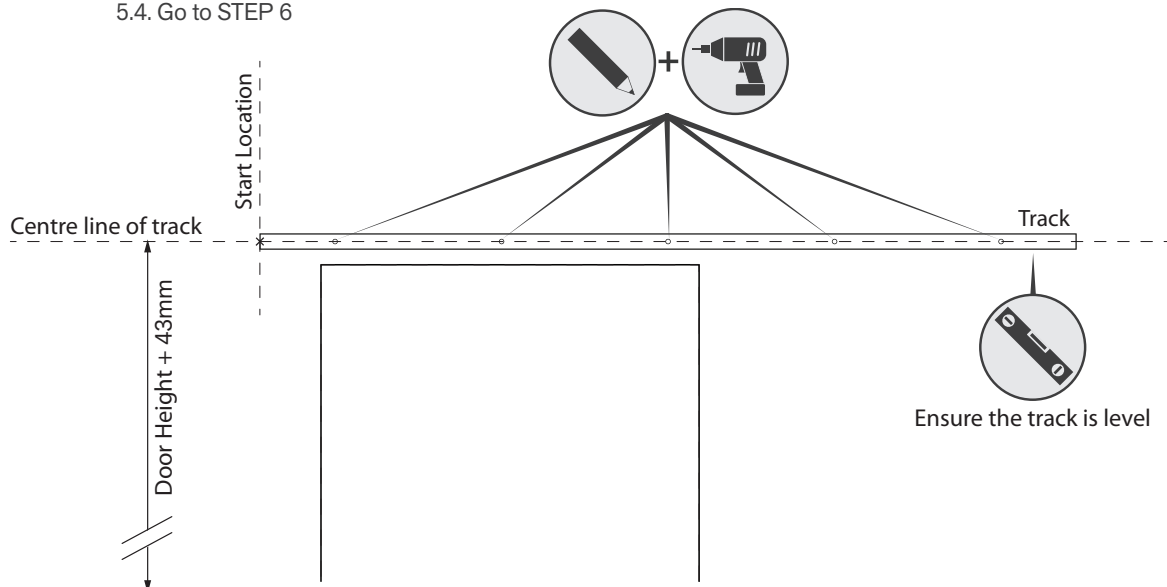


5.1. Position the track centred on the "Start Location" and ensure track is level.

5.2. Use the track as a template and mark the mounting hole locations with a pencil.

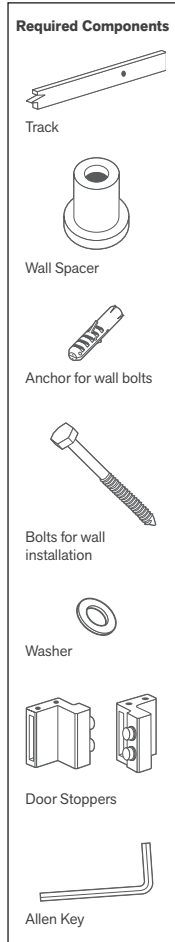
5.3. Pre-drill the concrete at marked locations using a 10mm masonry drill bit. (TIP: Temporarily install track with one end bolt. This will create a pivot point to easily level the track. Mark the rest of your holes)

5.4. Go to STEP 6



Step 6.

CONCRETE WALL - TRACK FIXING

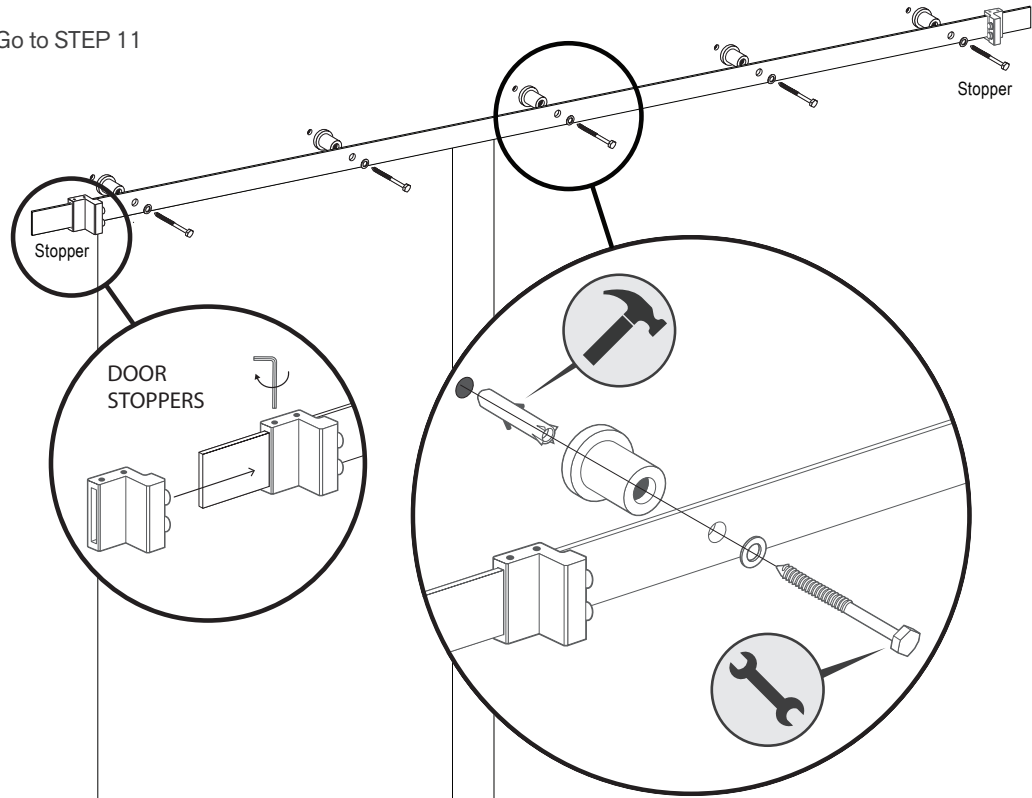


6.1. Install anchors into holes using a hammer.

6.2. Install track with bolts, washers and spacers using a spanner.

6.3. Slide door stoppers on both ends of the track. Use Allen key provided to tighten.

6.4. Go to STEP 11



Step 7.

NON-CONCRETE WALL - MARK TRACK HOLES ON MOUNTING BOARD

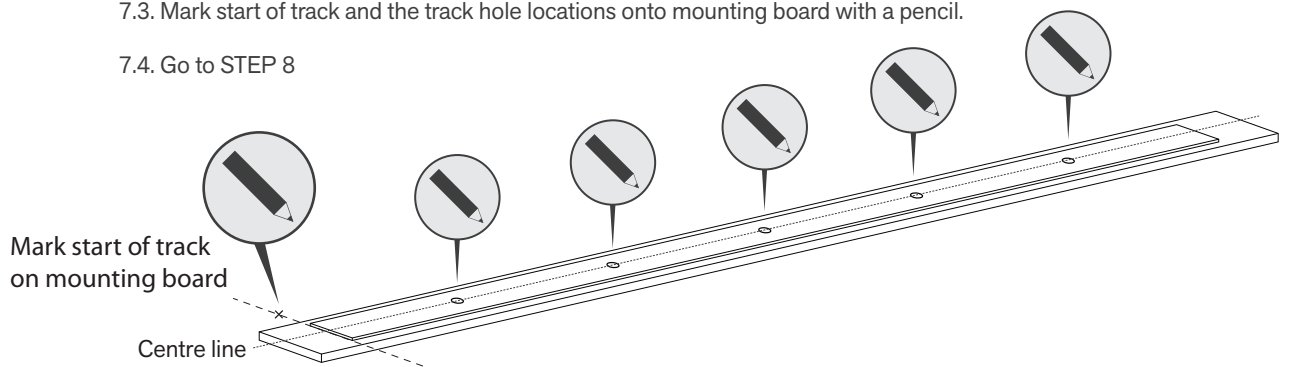
NOTE: Mounting board and screws not supplied.

7.1. Mark a centre line along the length of the mounting board.

7.2. On a flat surface, centre the track on the mounting board (ensure the track is straight on the board and an equal distance from each end).

7.3. Mark start of track and the track hole locations onto mounting board with a pencil.

7.4. Go to STEP 8



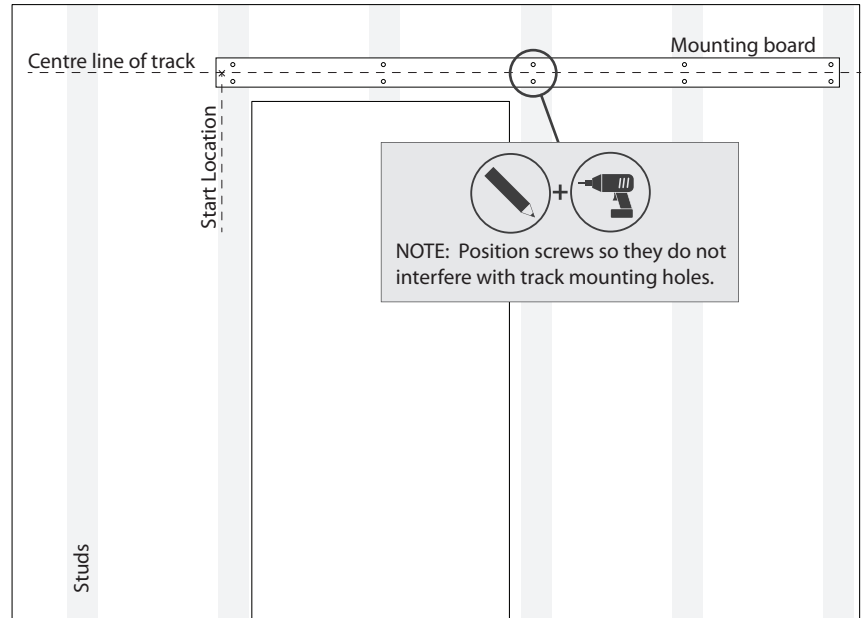
Step 8. NON-CONCRETE WALL – ATTACHING THE MOUNTING BOARD

8.1. Use a stud finder to find the framing material (studs) behind the wall and mark their locations.

8.2. Position the mounting board on the wall ensuring it is level and centred on the centre line. Be sure to line up the start mark on the mounting board with your "Start Location" - not the edge of the mounting board.

8.3. Fix mounting board through wall into studs. (TIP: Locate and install one screw at end of the mounting board first. This will hold one end of the board so you can move/pivot the free end and ensure the board is level as you install the other screws.)

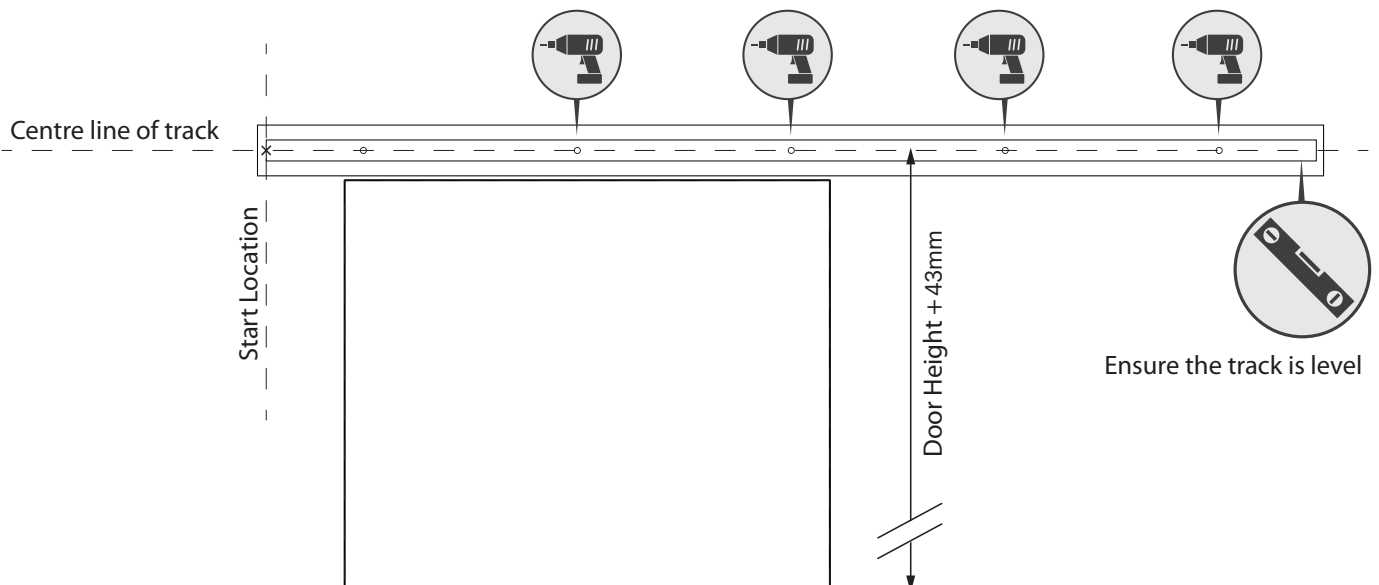
8.4. Go to STEP 9



Step 9. NON-CONCRETE WALL – PRE-DRILLING THE MOUNTING BOARD

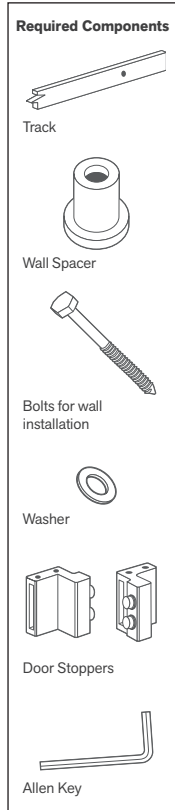
9.1. Drill pilot holes for track bolts into mounting board at marked locations from Step 6. (TIP: Temporarily install track with one end bolt. This will create a pivot point to easily level the track. Drill the rest of your holes)

9.2. Go to STEP 10



Step 10.

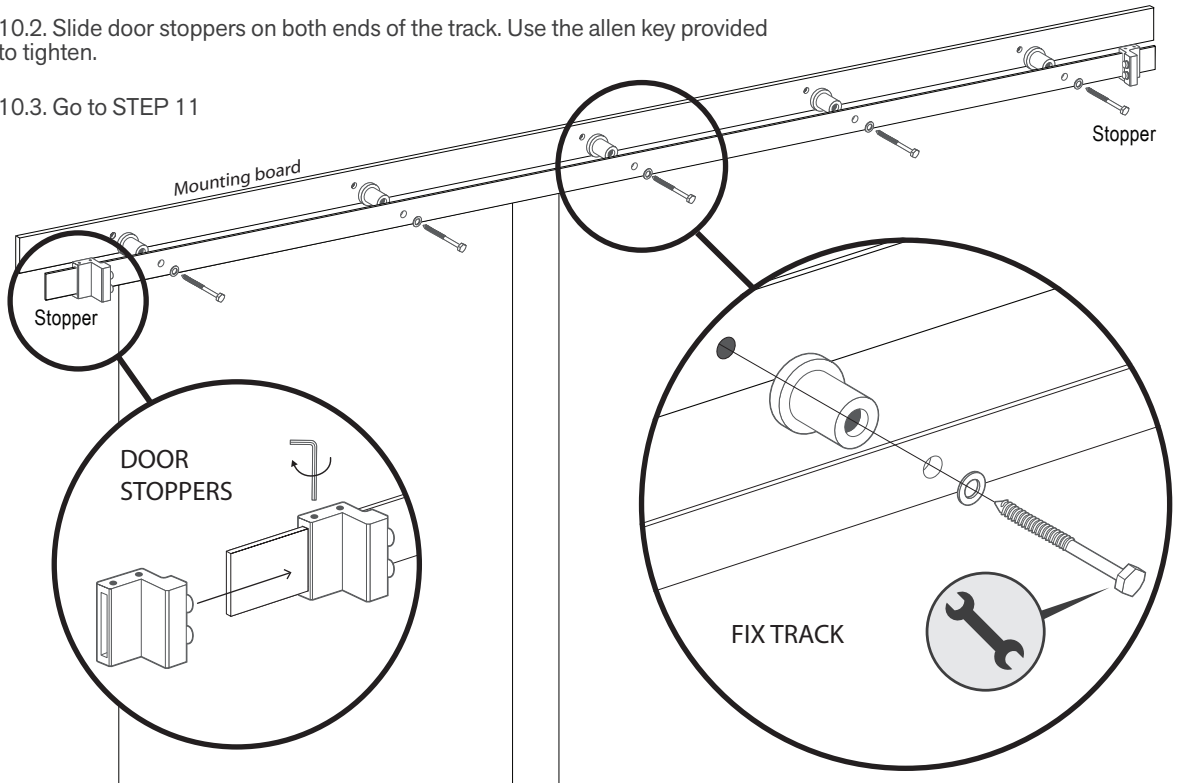
NON-CONCRETE WALL – ATTACHING THE TRACK TO THE MOUNTING BOARD



10.1. Install track with bolts, washers and spacers using a spanner.

10.2. Slide door stoppers on both ends of the track. Use the allen key provided to tighten.

10.3. Go to STEP 11



Step 11.

HANGING DOOR AND ADJUSTING STOPPERS

11.1. Ensure anti-jump blocks are in the unlocked position (A).

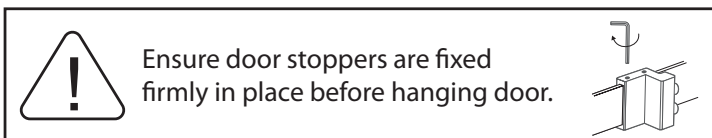
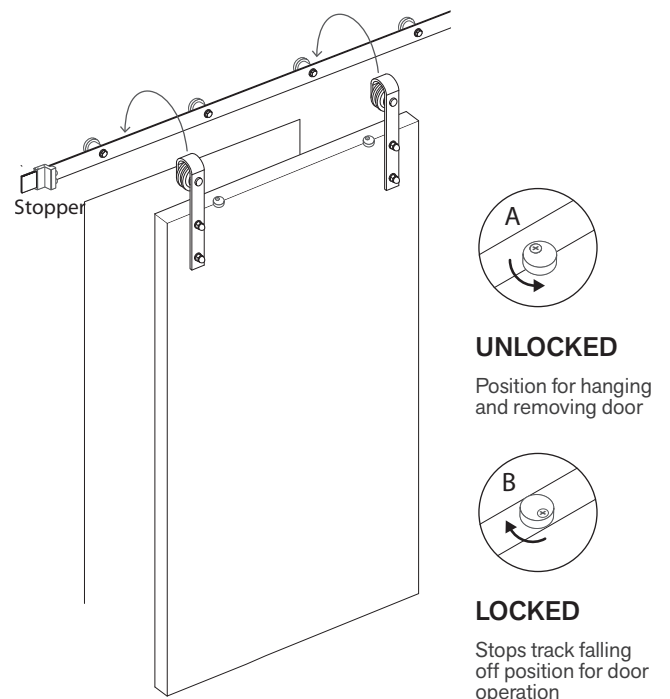
11.2. Place assembled door with rollers onto track.

11.3. Rotate the anti-jump blocks to locked position (B).

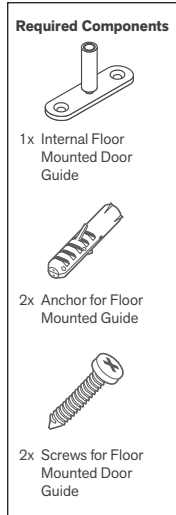
11.4. Slide door back and forth to test how well the door covers the opening. Reposition stoppers as needed.

11.5. If less travel of the door is required, the stoppers can be moved inside end mounting bolts. (TIP: If needed - remove the end mounting bolts and spacers, slide the stopper to the new location and reinstall bolt and spacer)

11.6. Go to STEP 12



Step 12. FLOOR-MOUNTED DOOR GUIDE INSTALLATION



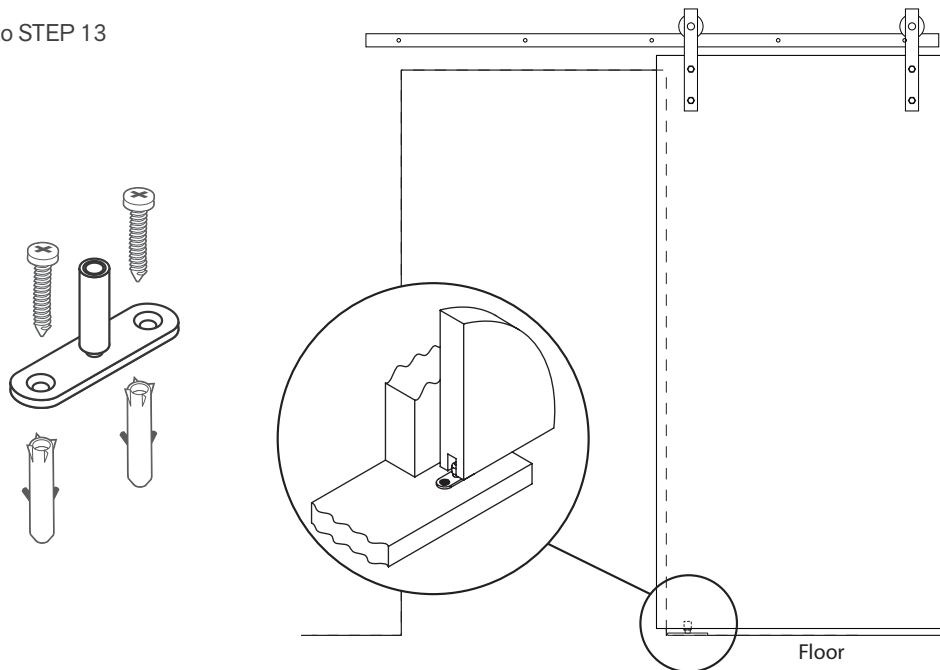
12.1. With door fully in the open position and hanging straight - position the floor mount door guide inside groove in the bottom of the door (see figure below for placement).

12.2. Slide the door back and forth to ensure the guide is properly placed. Mark location of guide.

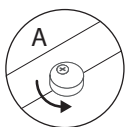
12.3. Pre-drill and attach guide with supplied screws. If needed, supplied anchors can be used.

12.4. To fasten guide, the door may need to be removed.

12.5 Go to STEP 13

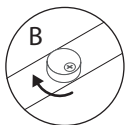


Step 13. FINAL CHECK OF STOPPERS AND ANTI-JUMP BLOCKS



UNLOCKED

Position for hanging and removing door

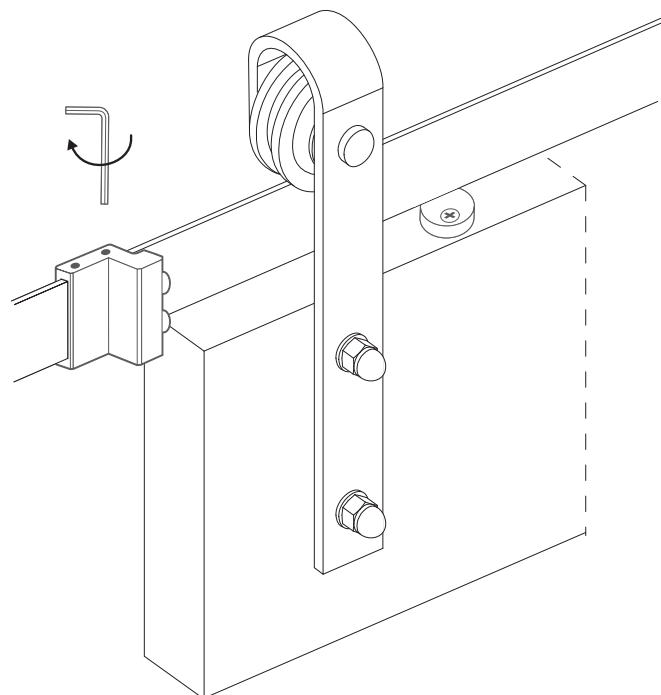


LOCKED

Stops track falling off position for door operation

13.1. Check to see that stoppers are properly located and tightened in place.

13.2. Check to see anti-jump blocks are rotated to the LOCKED position before operating the door.



Cowdroy is an Australian company supplying industry leading products across residential and commercial properties.

Established in 1890, Cowdroy specialises in door tracking systems, weather seals, insect screen, replacement wheels & rollers and more products for a wide range of applications.

For all our product information visit the Cowdroy website at:
www.cowdroy.com.au

HEAD OFFICE SYDNEY

38 Redfern St
Wetherill Park, NSW 2164
Phone: (02) 9604 3000
Fax: (02) 9604 8129
Sales Fax: (02) 9609 3694

Perth

1 Modal Crescent
Canning Vale, WA 6155
Ph: (08) 9455 5354
Fax: (08) 9455 5461

WEBSITE

www.cowdroy.com.au
www.cowdroy-insectscreen.com.au

EMAIL

sales@cowdroy.com.au

NATIONAL CALL

1800 COWDROY (1800 269 376)

Christchurch NZ

56 Treffers Road, Sockburn
Christchurch 8042
Phone: (03) 943 2060
Fax: (03) 943 2061

Auckland NZ

18 Kerwyn Ave, East Tamaki
Auckland 2013
Phone: (09) 274 7279
Fax: (09) 274 4453

cowdroy

