

cowdroy

FLOATING WALL SHELF


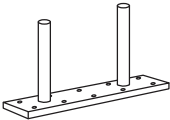
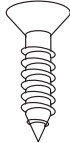
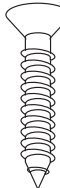
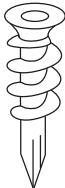

INSTALLATION INSTRUCTIONS



THANK YOU FOR YOUR SELECTION OF A COWDROY FLOATING WALL SHELF

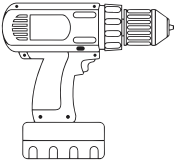


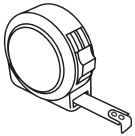


Maximum weight capacity when evenly distributed - Up to 5KG for plasterboard walls and 10KG for masonry walls

KIT INCLUSIONS

Shelf	Wall Bracket	20mm Countersunk Screws	40mm Plasterboard/ Masonry Screws	Plasterboard Anchors	Masonry Wall Plugs
					
x1	x1	x2	x6	x6	x6

TOOLS REQUIRED

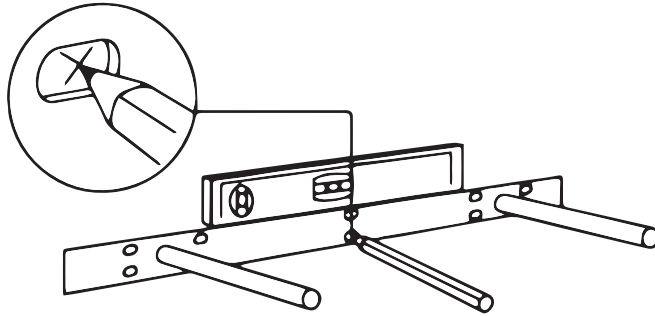
(not included)

Drill	Spirit Level	Phillips Screw Driver	Tape Measure	Pencil	Masonry Drill Bit (if required)
					

STEP 1.

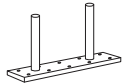
WALL BRACKET PREPARATION

Place the wall bracket in the preferred height and position. Use a spirit level to ensure the bracket is level against the wall. Use a pencil to mark the hole positions. For plasterboard walls it is necessary to mark at least one hole on a wall stud. If a wall stud does not align with the holes an additional hole should be drilled in the bracket. A plasterboard anchor is not required when installing into a stud but drilling a pilot hole is recommended.



Required Components:

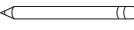
Wall Bracket



Spirit Level



Pencil



STEP 2.

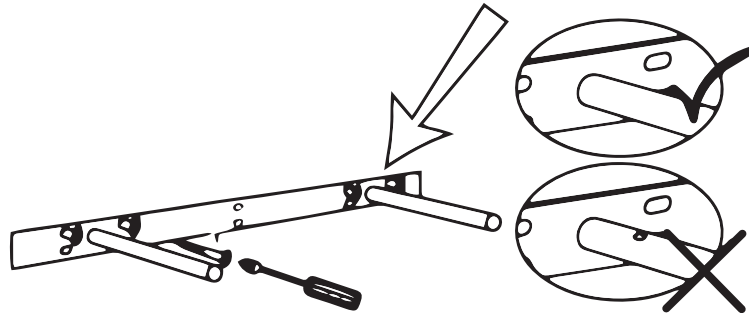
WALL BRACKET FASTENING

Plasterboard

A minimum of 4 anchors and screws must be used. Do not use anchors on both the adjacent top and bottom holes as the plasterboard may weaken due to the close proximity of 2 anchors. Use a Phillips head screwdriver to drive the anchor into the plasterboard until it is flush with the wall. Locate the bracket onto the wall over the anchors and fasten with the supplied 40mm screws.

Masonry

Use a 6mm masonry drill bit to drill a 40mm hole. Insert the wall plug into the hole tapping lightly with a hammer if necessary until it is flush with the wall. Locate the bracket onto the wall over the wall plugs and fasten with the supplied 40mm screws.



Required Components:

Plasterboard Anchors



Masonry Wall Plugs



40mm Screws



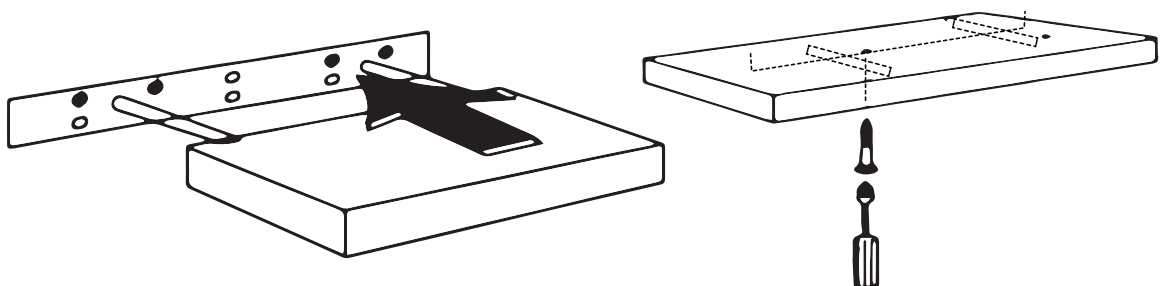
Screw Driver



STEP 3.

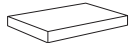
SHELF INSTALLATION

Slide the shelf onto the wall bracket and attach the 2 x 20mm screws from underneath the shelf using a Phillips head screwdriver.



Required Components:

Shelf



20mm Screws



Screw Driver



Cowdroy is an Australian company supplying industry leading products across residential and commercial properties.

Established in 1890, Cowdroy specialises in door tracking systems, weather seals, insect screen, replacement wheels & rollers and more products for a wide range of applications.

For all our product information visit the Cowdroy website at:
www.cowdroy.com.au

HEAD OFFICE SYDNEY

38 Redfern St
Wetherill Park, NSW 2164
Phone: (02) 9604 3000
Fax: (02) 9604 8129
Sales Fax: (02) 9609 3694

WEBSITE

www.cowdroy.com.au

EMAIL

sales@cowdroy.com.au

NATIONAL CALL

1800 COWDROY (1800 269 376)

Perth

1 Modal Crescent
Canning Vale, WA 6155
Ph: (08) 9455 5354
Fax: (08) 9455 5461

Christchurch NZ

19 Kilronan Place, Wigram,
Christchurch 8042
Phone: (03) 943 2060
Fax: (03) 943 2061

Auckland NZ

18 Kerwyn Ave, East Tamaki
Auckland 2013
Phone: (09) 274 7279
Fax: (09) 274 4453

cowdroy

