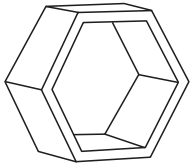
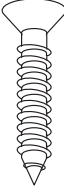
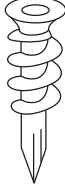



THANK YOU FOR YOUR SELECTION OF A COWDROY HEXAGONAL WALL SHELF

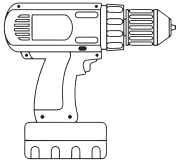


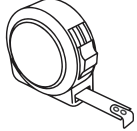


Maximum weight capacity when evenly distributed - Up to 3KG

KIT INCLUSIONS

Shelf	40mm Plasterboard/ Masonry Screws	Plasterboard Anchors	Masonry Wall Plugs
			
x1	x2	x2	x2

TOOLS REQUIRED

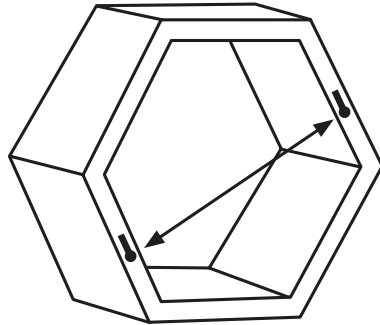
(not included)

Drill	Spirit Level	Phillips Screw Driver	Tape Measure	Pencil	Masonry Drill Bit (if required)
					

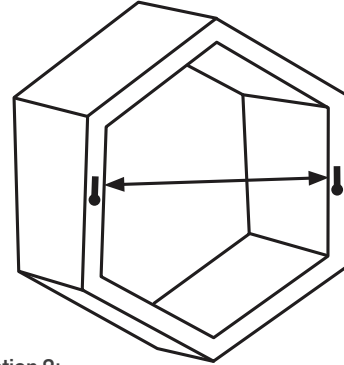
STEP 1.

PLACEMENT

Measure the distance between the two keyhole slots and mark the wall with a pencil in the preferred height and position.



Orientation 1:



Orientation 2:

STEP 2.

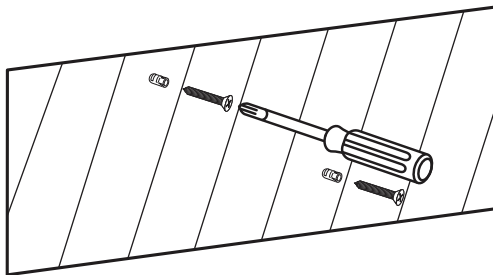
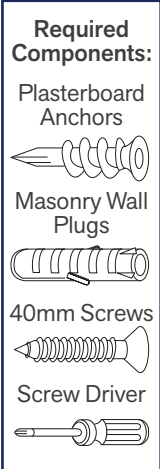
ANCHOR POINTS

Plasterboard

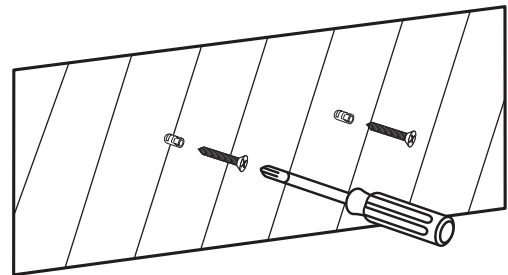
Use a Phillips head screwdriver to drive the anchor into the plasterboard until it is flush with the wall. Fasten the supplied 40mm screws into the anchor leaving enough exposed to insert into the two keyhole slots.

Masonry

Use a 6mm masonry drill bit to drill a 40mm hole. Insert the wall plug into the hole tapping lightly with a hammer if necessary until it is flush with the wall. Fasten the supplied 40mm screws into the wall plug leaving enough exposed to insert into the two keyhole slots.



Orientation 1:

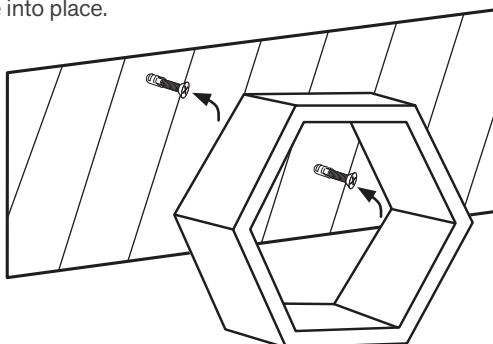


Orientation 2:

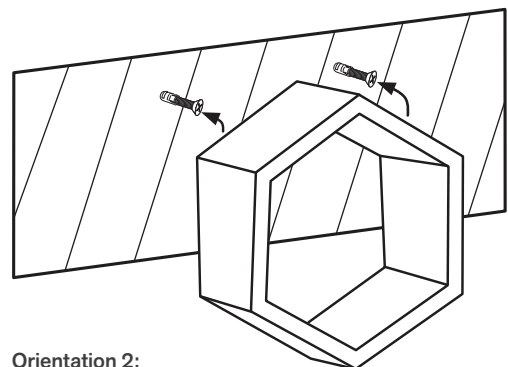
STEP 3.

SHELF INSTALLATION

Place the shelf over the exposed screws and slide into place.



Orientation 1:



Orientation 2: