
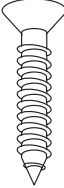
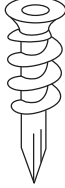



THANK YOU FOR YOUR SELECTION OF A COWDROY PHOTO WALL SHELF

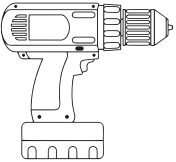


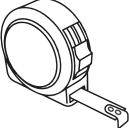


Maximum weight capacity when evenly distributed - Up to 5KG for plasterboard walls and 10KG for masonry walls

KIT INCLUSIONS

Shelf	40mm Plasterboard/ Masonry Screws	Plasterboard Anchors	Masonry Wall Plugs
			
x1	x2	x2	x2

TOOLS REQUIRED

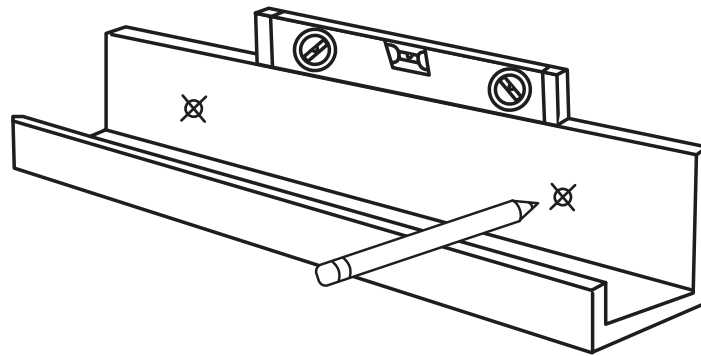
(not included)

Drill	Spirit Level	Phillips Screw Driver	Tape Measure	Pencil	Masonry Drill Bit (if required)
					

STEP 1.

PLACEMENT

Place the photo wall shelf in the preferred height and position and use a spirit level to ensure it is level against the wall. Use a pencil to mark the two hole positions. For plasterboard walls it is necessary to mark at least one hole on a wall stud. A plasterboard anchor is not required when installing into a stud but drilling a pilot hole is recommended.



Required Components:

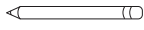
Tape Measure



Spirit Level



Pencil



STEP 2.

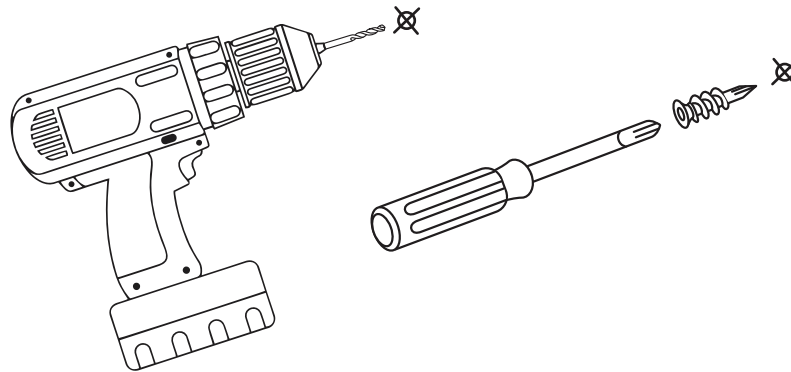
ANCHOR POINTS

Plasterboard

Use a Phillips head screwdriver to drive the anchor into the plasterboard until it is flush with the wall.

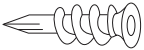
Masonry

Use a 6mm masonry drill bit to drill a 40mm hole. Insert the wall plug into the hole tapping lightly with a hammer if necessary until it is flush with the wall.

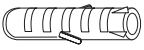


Required Components:

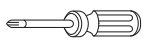
Plasterboard Anchors



Masonry Wall Plugs



Screw Driver



STEP 3.

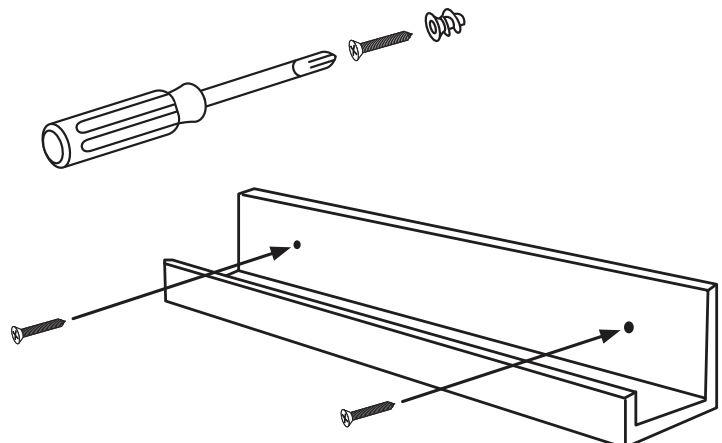
SHELF INSTALLATION

Plasterboard

Locate the photo wall shelf onto the wall over the anchors and fasten with the supplied 40mm screws.

Masonry

Locate the photo wall shelf onto the wall over the wall plugs and fasten with the supplied 40mm screws.



Required Components:

Shelf



40mm Screws



Screw Driver

