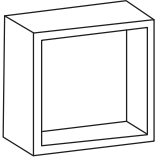
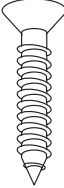
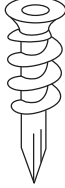



## THANK YOU FOR YOUR SELECTION OF COWDROY'S WALL CUBES

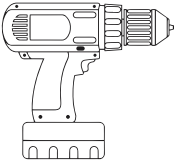


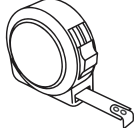


Maximum weight capacity when evenly distributed - Up to 3KG

### KIT INCLUSIONS

Cubes	40mm Plasterboard/ Masonry Screws	Plasterboard Anchors	Masonry Wall Plugs
			
x3	x6	x6	x6

### TOOLS REQUIRED

(not included)

Drill	Spirit Level	Phillips Screw Driver	Tape Measure	Pencil	Masonry Drill Bit (if required)
					

## STEP 1.

### PLACEMENT

Measure the distance between the two keyhole slots and mark the wall with a pencil in the preferred height and position.

#### Required Components:

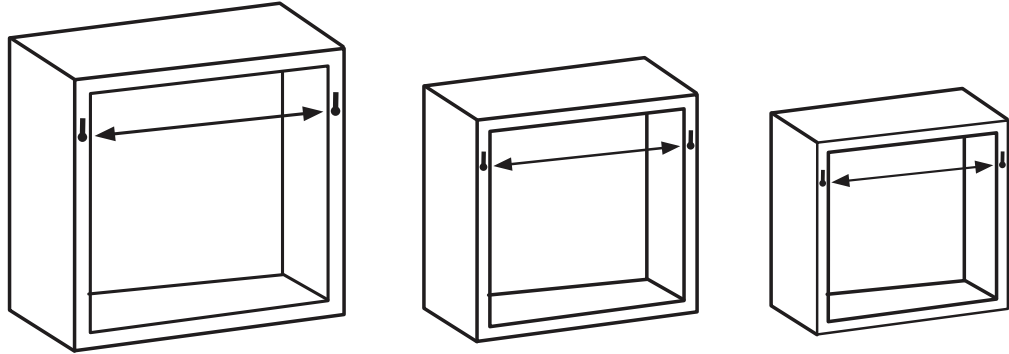
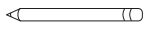
Tape Measure



Spirit Level



Pencil



## STEP 2.

### ANCHOR POINTS

#### Plasterboard

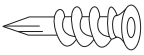
Use a Phillips head screwdriver to drive the anchor into the plasterboard until it is flush with the wall. Fasten the supplied 40mm screws into the anchor leaving enough exposed to insert into the two keyhole slots.

#### Masonry

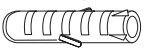
Use a 6mm masonry drill bit to drill a 40mm hole. Insert the wall plug into the hole tapping lightly with a hammer if necessary until it is flush with the wall. Fasten the supplied 40mm screws into the wall plug leaving enough exposed to insert into the two keyhole slots.

#### Required Components:

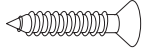
Plasterboard Anchors



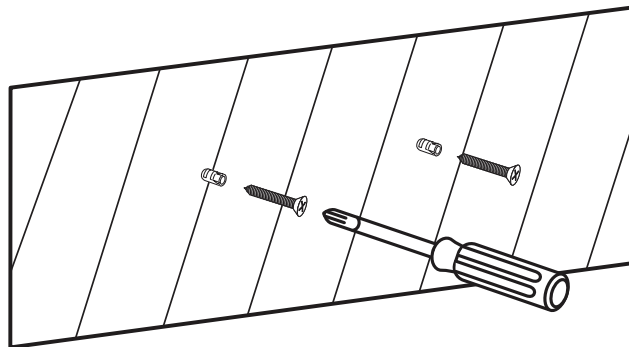
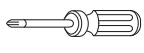
Masonry Wall Plugs



40mm Screws



Screw Driver



## STEP 3.

### SHELF INSTALLATION

Place the shelf over the exposed screws and slide into place.

#### Required Components:

Cubes

