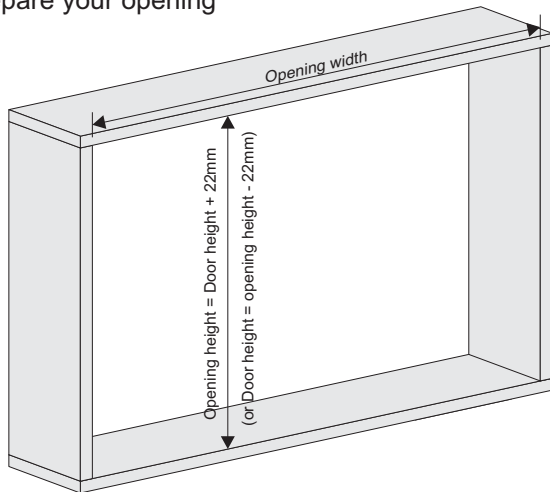


CABINETMAKER

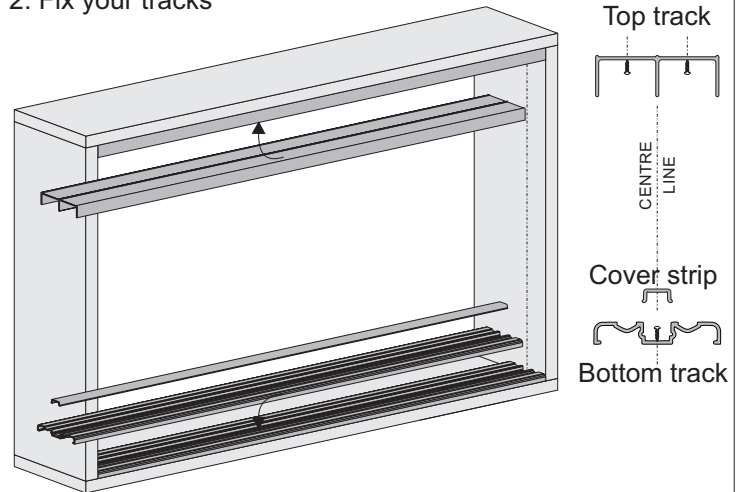
SLIDING CUPBOARD DOOR TRACK SYSTEM - 20kg MAXIMUM DOOR LOAD

1. Prepare your opening



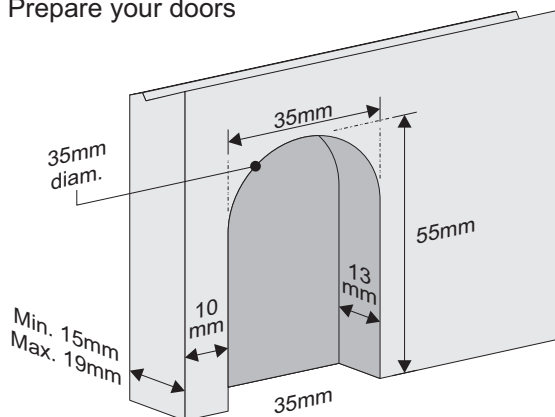
Ensure fixing surfaces are flat and solid enough to support the weight of the doors and tracks. Do not fix directly onto carpet or fabrics. Do not have joins in tracks.

2. Fix your tracks



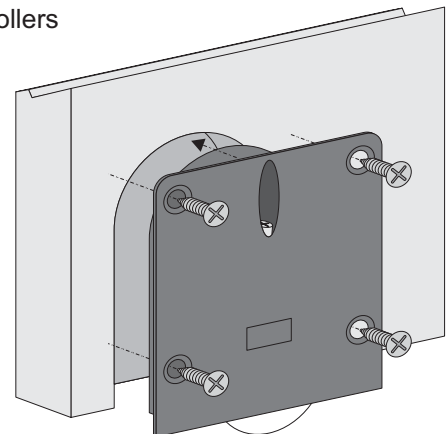
Fix the bottom track into the desired position and then align and fix the top track, centred & plumb to the bottom track. Finally, clip the cover strip into place on the bottom track.

3. Prepare your doors



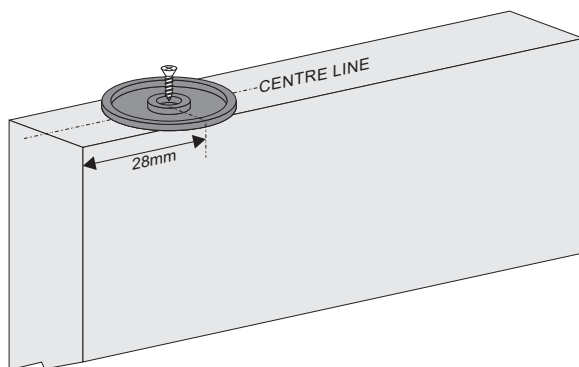
Using the dimensions shown, create cut-out for rollers to each end of your doors

4. Fit your rollers



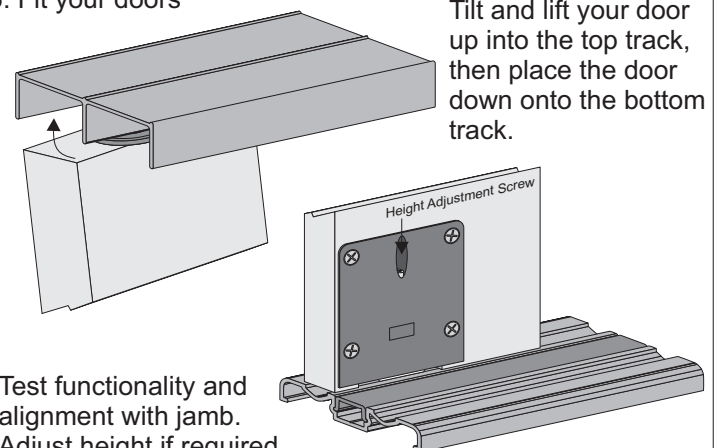
Fit rollers into the cut-outs and fix into to place with screws as shown

5. Fit your door guides



Fix your door guides to the top of your door, centred and 28mm in from each end, with screws as shown.

6. Fit your doors

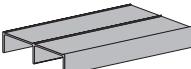
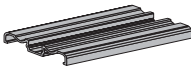

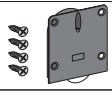





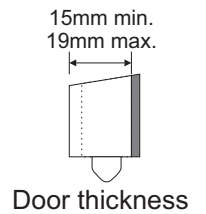
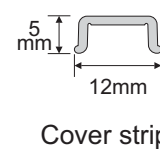
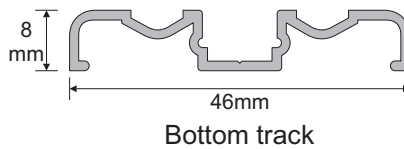
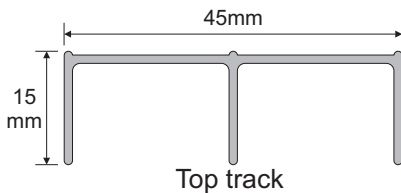
Test functionality and alignment with jamb. Adjust height if required. Repeat for each door.

CABINETMAKER

SLIDING CUPBOARD DOOR TRACK SYSTEM - 20kg MAXIMUM DOOR LOAD

PACK CONTENTS

Item Description	Available Colour	3 Door Kit 1800mm
Double Top Track 	Clear Anodised White	1 x 1800mm
Double Bottom Track 	Clear Anodised White	1 x 1800mm
Clip-down Cover Strip 	Charcoal	1 x 1800mm
Adjustable Roller (with 4 screws) 	Zinc	6
Nylon Door Guide 	Black	6
#6 x 12mm Pan Head Screw (for tracks) 	Zinc plated	12
#6 x 16mm CSK Screw (for door guides) 	Zinc plated	6



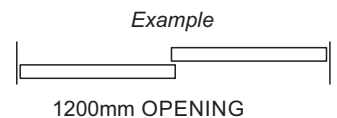
DOOR WIDTH CALCULATIONS: (Recommended min. overlap = 20mm)

2 DOOR OPENING

$$\text{DOOR WIDTH} = \frac{\text{OPENING WIDTH} + 20\text{mm}}{2} = \frac{1200 + 20\text{mm}}{2} = 610\text{mm}$$

$$\text{OPENING WIDTH} = (2 \times \text{DOOR WIDTH}) - 20\text{mm}$$

E.G. (2 x 610mm) - 20mm = 1200mm



3 DOOR OPENING

$$\text{DOOR WIDTH} = \frac{\text{OPENING WIDTH} + 42\text{mm}}{3} = \frac{1800 + 42\text{mm}}{3} = 614\text{mm}$$

$$\text{OPENING WIDTH} = (3 \times \text{DOOR WIDTH}) - 42\text{mm}$$

E.G. (3 x 614mm) - 42mm = 1800mm

